



**Vestil Manufacturing Corp.**

2999 North Wayne Street, P.O. Box 507, Angola, IN 46703  
Telephone: (260) 665-7586 -or- Toll Free (800) 348-0868  
Fax: (260) 665-1339  
Web: [www.vestilmfg.com](http://www.vestilmfg.com) e-mail: [info@vestil.com](mailto:info@vestil.com)

**LM-HP-Series Load Hook Fork Attachments**



**Receiving Instructions**

After delivery, remove the packaging from the product. Inspect the product closely to determine whether it sustained damage during transport. If damage is discovered, record a complete description of it on the bill of lading. If the product is undamaged, discard the packaging.

**NOTE:** The end-user is solely responsible for confirming that product design, use, and maintenance comply with laws, regulations, codes, and mandatory standards applied where the product is used.

**Technical Service & Replacement Parts**

For answers to questions not addressed in these instructions and to order replacement parts, labels, and accessories, call our Technical Service and Parts Department at (260) 665-7586. The Department can also be contacted online at <https://www.vestil.com/page-parts-request.php>.

**Electronic Copies of Instruction Manuals**

Additional copies of this instruction manual may be downloaded from <https://www.vestil.com/page-manuals.php>.

| <b>Table of Contents</b>                               |  | <b>Page</b> |
|--|--|-------------|
| Signal Words.....                                      |  | 2           |
| Safety Instructions.....                               |  | 2           |
| National Standards.....                                |  | 3           |
| Parts Diagrams, Dimensions, and Bill of Materials..... |  | 3           |
| Installing & Using the Attachment.....                 |  | 4           |
| Record of Satisfactory Condition.....                  |  | 4           |
| Inspections & Maintenance.....                         |  | 4 - 5       |
| Labeling Diagram.....                                  |  | 5           |
| Limited Warranty.....                                  |  | 6           |

## SIGNAL WORDS

This manual uses SIGNAL WORDS to indicate the likelihood that a particular action will cause personal injuries or property damage. Signal words also specify the level of seriousness of injury if the product is misused in the ways described. The following signal words are used in this manual.



**DANGER**

Identifies a hazardous situation which, if not avoided, **WILL** result in **DEATH** or **SERIOUS INJURY**. Use of this signal word is limited to the most extreme situations.



**WARNING**

Identifies a hazardous situation which, if not avoided, **COULD** result in **DEATH** or **SERIOUS INJURY**.



**CAUTION**

Indicates a hazardous situation which, if not avoided, **COULD** result in **MINOR** or **MODERATE** injury.



**NOTICE**

Identifies practices likely to result in product/property damage, such as operation that might damage the product.

## SAFETY INSTRUCTIONS

Vestil strives to identify all foreseeable hazards associated with the use of its products. However, material handling is dangerous and no manual can address every conceivable risk. The most effective way to prevent injury is to apply sound judgment whenever using this device.

### **WARNING**

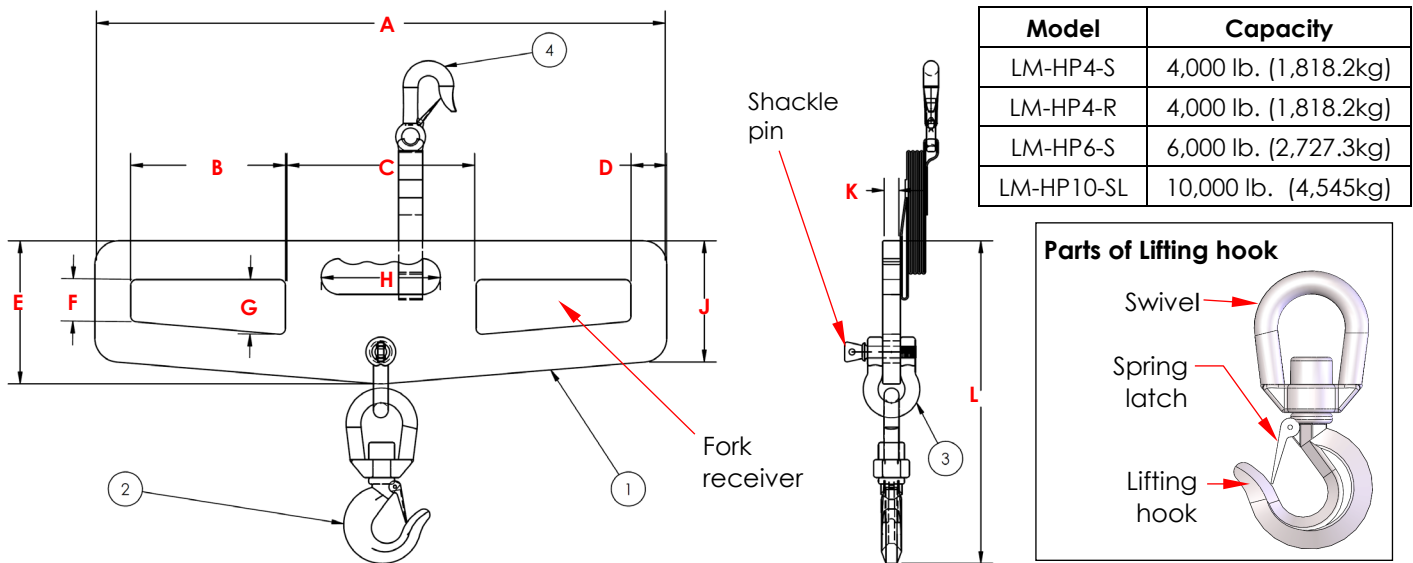
Risk of death or serious personal injuries.

- DO NOT use, inspect, or service this lifting device until you read and understand the entire instruction manual. Read the manual whenever necessary to refresh your understanding of its contents. Also apply all relevant provisions of the most recent revision of [ANSI/ITSDF B56.1](#) and all laws, regulations, codes, etc. that apply to lift truck attachments where the device is used.
  - DO NOT disconnect the load from the lifting hook until the load is entirely and stably supported by the ground or other surface.
  - Inspect the device as instructed in [INSPECTIONS AND MAINTENANCE](#) on p. 4-5. Acquire a copy of the most recent revision of [ANSI/ITSDF B56.1](#) ("B56.1") and apply all inspection procedures applied to lift truck attachments.
  - Always make sure that the shackle pin (see Parts diagrams on p. 3) is secure before applying a load to the load hook. Tighten the pin before each use.
  - Properly maintain the device according to the [INSPECTIONS & MAINTENANCE](#) instructions. **These procedures supplement the maintenance recommendations of B56.1 (the "Standard")**. If any instruction in this manual conflicts with the Standard, then you should apply the provision in the Standard. DO NOT use the device unless it is in [SATISFACTORY CONDITION](#) (p. 4).
  - ALWAYS attach the safety strap to the carriage of your lift truck without slack. The lifter must not be able to slide forward on the forks while in use.
  - DO NOT service the device unless you are qualified to do so. Contact [TECHNICAL SERVICE](#) (contact information on cover page) if you are uncertain whether the attachment should be used.
  - Only **lift** loads attached to the lifting hook with this device. DO NOT use this lifter to pull/drag loads. Rigging must be properly attached to the load and hook before lifting the load. Be certain that the load is balanced to avoid load swing.
  - DO NOT lift people.
  - DO NOT leave an elevated load unattended. Land all loads before leaving them.
  - DO NOT use this attachment to lift (or move) a load that is unstable when suspended.
  - DO NOT attempt to lift a load that weighs more than the capacity of the lifter OR the lift truck, whichever is smaller. The capacity of your lifter appears on tag 1054. The tag is attached to the product as shown in the [LABELING DIAGRAM](#) on p. 5.
  - DO NOT elevate any load more than a few inches above the ground except as necessary to avoid contact with objects in or along the path of travel.
  - DO NOT raise a load over people or allow anyone to stand or reach beneath a suspended load.
  - DO NOT modify this product in any way without first obtaining written approval from Vestil.
- Unapproved modifications automatically void the [LIMITED WARRANTY](#) on p. 6 and might make the product unsafe to use.**

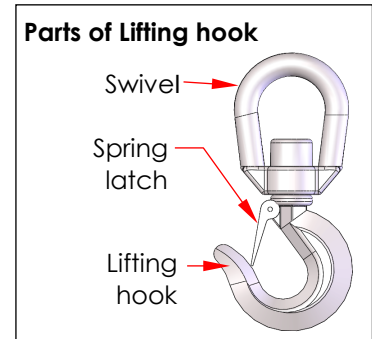
### NATIONAL STANDARDS

According to US Federal Occupational Safety and Health Administration (OSHA) Rule 1910.178 (29 CFR 1910.178; the "Rule"), this device is a lift truck front end attachment whenever it is mounted on the forks of a lift truck. The Rule incorporates American National Standard ANSI/ITSDF B56.1 (the "Standard"). The Standard is published by the Industrial Truck Standards Development Foundation (ITSDF) on its website ([www.itsdf.org](http://www.itsdf.org)). The Standard is freely downloadable at <http://www.itsdf.org/cue/b56-standards.html>. Before putting this device into service, acquire a copy of the Standard. Apply all relevant parts of Part II: For the User. If instructions provided in this manual conflict with the Standard, then the instructions in the Standard should be applied. Vestil requests that you immediately inform it about inconsistencies by contacting its [TECHNICAL SERVICE](#) department. Contact information for [TECHNICAL SERVICE](#) appears on the cover page of this manual.

### PARTS DIAGRAMS, DIMENSIONS, AND BILL OF MATERIALS



| Model      | Capacity              |
|------------|-----------------------|
| LM-HP4-S   | 4,000 lb. (1,818.2kg) |
| LM-HP4-R   | 4,000 lb. (1,818.2kg) |
| LM-HP6-S   | 6,000 lb. (2,727.3kg) |
| LM-HP10-SL | 10,000 lb. (4,545kg)  |



| Item no. | Part no.   | Description  | Quantity |
|----------|------------|--|----------|
| 1        | 08-028-034 | Hook plate<br>LM-HP4 & LM-HP6                        | 1        |
|          | 08-028-164 | LM-HP10  | 1        |
| 2        | 08-145-001 | Lifting hook:<br>LM-HP4 [2-ton capacity (4,000 lb.)] | 1        |
|          | 08-145-002 | LM-HP6 [3-ton capacity (6,000 lb.)]                  | 1        |
|          | 08-145-005 | LM-HP10 [5-ton capacity (10,000lb.)]                 | 1        |
| 3        | 08-145-003 | Shackle:<br>LM-HP4 [2-ton capacity (4,000 lb.)]      | 1        |
|          | 08-145-004 | LM-HP6 [3-ton capacity (6,000 lb.)]                  | 1        |
|          | 08-145-006 | LM-HP10 [6.5 ton capacity (13,000lb.)]               | 1        |
|          | 08-145-028 | Safety strap with hook                               | 1        |

| MODEL      | Hook type | A               | B                  | C              | D                 | E               | F                 | G                 | H              | J              | K                 | L                    |
|------------|-----------|-----------------|--------------------|----------------|-------------------|-----------------|-------------------|-------------------|----------------|----------------|-------------------|----------------------|
| LM-HP4-S   | Swivel    | 24in.<br>61cm   | 6 1/2in.<br>16.5cm | 8in.<br>20.3cm | 1 1/2in.<br>3.8cm | 6 in.<br>15.2cm | 1 3/4in.<br>4.4cm | 2 1/4in.<br>5.7cm | 5in.<br>12.7cm | 5in.<br>12.7cm | 3/4in.<br>1.9cm   | 13 1/2in.<br>34.3cm  |
| LM-HP4-R   | Rigid     | 24in.<br>61cm   | 6 1/2in.<br>16.5cm | 8in.<br>20.3cm | 1 1/2in.<br>3.8cm | 6 in.<br>15.2cm | 1 3/4in.<br>4.4cm | 2 1/4in.<br>5.7cm | 5in.<br>12.7cm | 5in.<br>12.7cm | 3/4in.<br>1.9cm   | 13 1/2in.<br>34.3cm  |
| LM-HP6-S   | Swivel    | 24in.<br>61cm   | 6 1/2in.<br>16.5cm | 8in.<br>20.3cm | 1 1/2in.<br>3.8cm | 6 in.<br>15.2cm | 1 3/4in.<br>4.4cm | 2 1/4in.<br>5.7cm | 5in.<br>12.7cm | 5in.<br>12.7cm | 3/4in.<br>1.9cm   | 14 3/4in.<br>37.5cm  |
| LM-HP10-SL | Swivel    | 25in.<br>63.5cm | 7in.<br>17.8cm     | 8in.<br>20.3cm | 1 1/2in.<br>3.8cm |                 | 2in.<br>5.08cm    | 2 7/8in.<br>7.3cm |                |                | 1 1/4in.<br>3.2cm | 20 9/16in.<br>52.2cm |

## INSTALLING & USING THE ATTACHMENT

This product is a fork attachment subject to Federal OSHA Rule [29 CFR 1910.178](#) (the “Rule”). The Rule states that you must request that either the manufacturer of your fork truck, or a professional engineer, determine how using the lifter attachment will affect the capacity, operation, and maintenance of your fork truck. Truck data plates, tags, labels, etc. must be changed accordingly. The truck should also be marked to identify the attachment and to display the approximate weight of the truck and attachment combination at maximum elevation with load laterally centered.

### Installation

- 1) Adjust the positions of the forks on the fork carriage to align with the fork receivers; then slide the unit onto the forks. Keep the forks level.
- 2) Attach the safety strap to the fork carriage of your lift truck. Wrap the safety strap around the fork carriage. Attach the hook (at the free end of the strap) to the safety strap. The strap must be wrapped around the carriage a sufficient number of times so that there is no slack in the strap. The strap must prevent the unit from sliding forward on the forks.

### Using the Device

Adjust the position of the fork truck to vertically and horizontally align the lifting hook with the center of gravity of the load. Connect the load to the hook via appropriate rigging. The weight of the load must not exceed the capacity of the hook. [NOTE: Capacity appears on the surface of the hook. It is also displayed on tag 1054. See [LABELING DIAGRAM](#) on p. 5.] Connect the load to the hook to minimize load swing when the load is lifted off of the ground. Swinging loads might cause injuries and/or could damage equipment.

## RECORD OF SATISFACTORY CONDITION

Before putting the unit into service, make a record of its condition. Photograph both sides of the device. Take close range photos of the hook, shackle, safety strap, and strap hook. Photograph both sides of tag 1054. See [LABELING DIAGRAM](#) on p. 5. Measure the throat openings of both hooks. Collate the photos and written descriptions into a single file. This file is a record of the product in satisfactory condition. Compare the results of each inspection to this RECORD to determine whether the unit is in satisfactory condition.

## INSPECTIONS & MAINTENANCE

### NOTICE

Proper use, maintenance, and storage are essential for this product to function properly.

- Inspect the unit as instructed and as frequently as instructed.
- Inspect and maintain the product as recommended in the current revision of ANSI/ITSDF B56.1, as well as all instructions in this manual.
- Store the unit in a dry location.

Compare the results of each inspection to the [RECORD OF SATISFACTORY CONDITION](#) to determine whether the unit is in satisfactory condition. DO NOT use the lifter unless it is in satisfactory condition. Only use manufacturer-approved replacement parts to restore the unit to satisfactory condition. *Never make temporary repairs of damaged or missing parts.* **DON'T GUESS! If you have any questions about the condition of your lifter, contact the [TECHNICAL SERVICE](#) department.** The phone number is provided on the cover page of this manual. Purely cosmetic changes, such as chipped paint, are not changes from satisfactory condition. However, touchup paint should be applied to all areas where the finish is damaged as soon as the damage occurs. Exposed metal rusts. If left exposed, rust could compromise the soundness of the metal and create a safety hazard.

(A) Inspect the following before each use and AT LEAST once per month:

- i. Hook spring latch: Confirm original condition and proper operation of the spring latch.
- ii. Hook, swivel, & shackle: Check each component for significant wear, looseness, distortion & damage.
- iii. Hook plate: Look for damage like significant wear, deformation, cracking, thinning, etc.
- iv. Safety strap: Closely examine the strap and the strap hook. Check the strap for thinned, frayed, torn, or severely worn areas. Examine the strap hook for bends, cracks, and elongation.
- v. Labels/tags: Frequently examine the tag. Confirm that each label is present, in good condition, and easily readable. See [LABELING DIAGRAM](#) on p. 2.

(B) Load test:

At least once per year, use the LM-HP to lift a full capacity load. Observe the unit from a safe distance. Monitor the hook, shackle, and swivel (-S models). Hold the load for ~1 minute; then lower it and disconnect it from the hook. After the load is removed, closely inspect all parts and surfaces of the entire LM-HP for fatigue, cracks, or deformations. If any such damage is observed, permanently remove the unit from service.

**Maintenance**

Proper maintenance and storage are essential for this product to function properly.

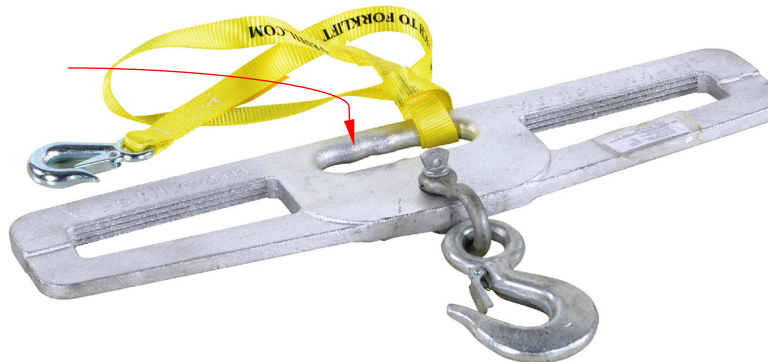
(A) Clean the unit before inspecting it.

(B) Perform all necessary adjustments, replacements and/or repairs. ONLY install replacement parts supplied, or approved, by the manufacturer.

**LABELING DIAGRAM**

Label content and location are subject to change so your product might not be labeled exactly as shown. Compare the diagram below to your [RECORD OF SATISFACTORY CONDITION](#). If differences between actual labeling and this diagram exist, contact [TECHNICAL SERVICE](#). Replace all labels that are damaged, missing, or not easily readable (e.g. faded). To order replacement labels, or to inquire whether your unit is properly labeled, contact the technical service and parts department online at [http://www.vestilmfg.com/parts\\_info.htm](http://www.vestilmfg.com/parts_info.htm) or by calling (260) 665-7586 and asking for the Parts Department.

Attach tag to



**Tag 1054: Obverse side** - Product specifications [Tag attaches to handle of unit via zip-tie]

Model No. / No. Modelo \_\_\_\_\_ Serial No. / No. Serie \_\_\_\_\_  
 Capacity \_\_\_\_\_ lb. Lifter Weight \_\_\_\_\_ lb.  
 Capacidad \_\_\_\_\_ kg. Peso del Elevador \_\_\_\_\_ kg.

Using this front end attachment affects lift truck center of gravity. Before using this fork attachment, US Federal regulation 29 CFR 1910.178 requires you to contact the manufacturer of your lift truck and request:

- 1. Written approval [29 CFR 1910.178(a)(4)]
- 2. Markings for (fork) lift truck that identify the attachment and give approximate weight of truck and attachment at maximum elevation with laterally-centered load. [29 CFR 1910.178(a)(5)]

**DO NOT use UNTIL** lift truck is marked with corrected capacity tags. Attach chain/strap to forklift carriage without slack.

1054  
REV 0419

**Tag 1054: Reverse side** – Safety messages

| ▲ WARNING   | ▲ ADVERTENCIA  |
|---|--|
| <ul style="list-style-type: none"> <li>• DO NOT exceed rated capacity</li> <li>• DO NOT use if damaged, malfunctioning, or missing parts</li> <li>• DO NOT lift people OR lift loads over people</li> <li>• DO NOT raise load higher than necessary</li> <li>• DO NOT leave a suspended load unattended</li> <li>• DO NOT use lifter unless you read and understand the owner's manual</li> <li>• DO NOT alter OR modify lifter</li> <li>• DO NOT remove OR obscure any label</li> <li>• STAY CLEAR of suspended loads</li> <li>• Secure load before using this device</li> </ul> | <ul style="list-style-type: none"> <li>• NO exceda la capacidad tasada</li> <li>• NO USE is las partes estan dañadas, no funcionan correctamente o faltan partes.</li> <li>• NO eieve al personal o eieve cargas sobre el personal</li> <li>• NO eieve la carga mas alto de lo necesario</li> <li>• NO deje desatendida una carga que este suspendida</li> <li>• NO use el elevador a no ser que haya leído y entendido las instrucciones del manual del propietario</li> <li>• NO altere o modifique el elevador</li> <li>• NO quite u oscurezca ninguna etiqueta</li> <li>• MANTENGASE alejado de las cargas suspendidas</li> <li>• Asegure la carga antes de usar este dispositivo</li> </ul> |



**LIMITED WARRANTY**

Vestil Manufacturing Corporation ("Vestil") warrants this product to be free of defects in material and workmanship during the warranty period. Our warranty obligation is to provide a replacement for a defective, original part covered by the warranty after we receive a proper request from the Warrantee (you) for warranty service.

**Who may request service?**

Only a warrantee may request service. You are a warrantee if you purchased the product from Vestil or from an authorized distributor AND Vestil has been fully paid.

**Definition of "original part"?**

An original part is a part used to make the product as shipped to the Warrantee.

**What is a "proper request"?**

A request for warranty service is proper if Vestil receives: 1) a photocopy of the Customer Invoice that displays the shipping date; AND 2) a written request for warranty service including your name and phone number. Send requests by one of the following methods:

|   |  |   |
|---|--|---|
| <u>US Mail</u>  | <u>Fax</u>                                       | <u>Email</u>  |
| Vestil Manufacturing Corporation<br>2999 North Wayne Street, PO Box 507<br>Angola, IN 46703 | (260) 665-1339<br><u>Phone</u><br>(260) 665-7586 | <a href="mailto:info@vestil.com">info@vestil.com</a><br>Enter "Warranty service request"<br>in subject field. |

In the written request, list the parts believed to be defective and include the address where replacements should be delivered. After Vestil receives your request for warranty service, an authorized representative will contact you to determine whether your claim is covered by the warranty. Before providing warranty service, Vestil will require you to send the entire product, or just the defective part (or parts), to its facility in Angola, IN.

**What is covered under the warranty?**

The warranty covers defects in the following original, dynamic parts: motors, hydraulic pumps, motor controllers, and cylinders. It also covers defects in original parts that wear under normal usage conditions ("wearing parts"), such as bearings, hoses, wheels, seals, brushes, and batteries.

**How long is the warranty period?**

The warranty period for original dynamic components is 90 days. For wearing parts, the warranty period is 90 days. Both warranty periods begin on the date Vestil ships the product to the Warrantee. If the product was purchased from an authorized distributor, the periods begin when the distributor ships the product. Vestil may, at its sole discretion, extend a warranty period for products shipped from authorized distributors by up to 30 days to account for shipping time.

**If a defective part is covered by the warranty, what will Vestil do to correct the problem?**

Vestil will provide an appropriate replacement for any covered part. An authorized representative of Vestil will contact you to discuss your claim.

**What is not covered by the warranty?**

The Warrantee (you) is responsible for paying labor costs and freight costs to return the product to Vestil for warranty service.

**Events that automatically void this Limited Warranty.**

- Misuse;
- Negligent assembly, installation, operation or repair;
- Installation/use in corrosive environments;
- Inadequate or improper maintenance;
- Damage sustained during shipping;
- Collisions or other accidents that damage the product;
- Unauthorized modifications: Do not modify the product IN ANY WAY without first receiving written authorization from Vestil.

**Do any other warranties apply to the product?**

Vestil Manufacturing Corp. makes no other express warranties. All implied warranties are disclaimed to the extent allowed by law. Any implied warranty not disclaimed is limited in scope to the terms of this Limited Warranty. Vestil makes no warranty or representation that this product complies with any state or local design, performance, or safety code or standard. Noncompliance with any such code or standard is not a defect in material or workmanship.